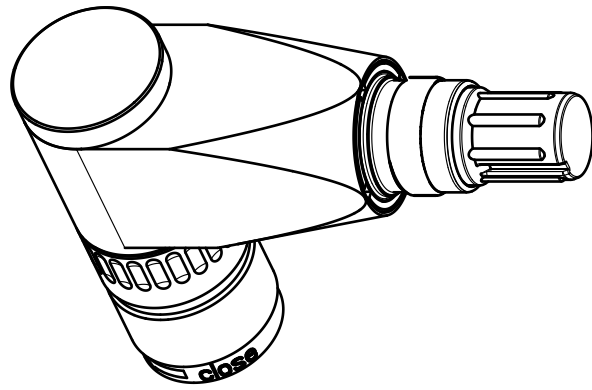


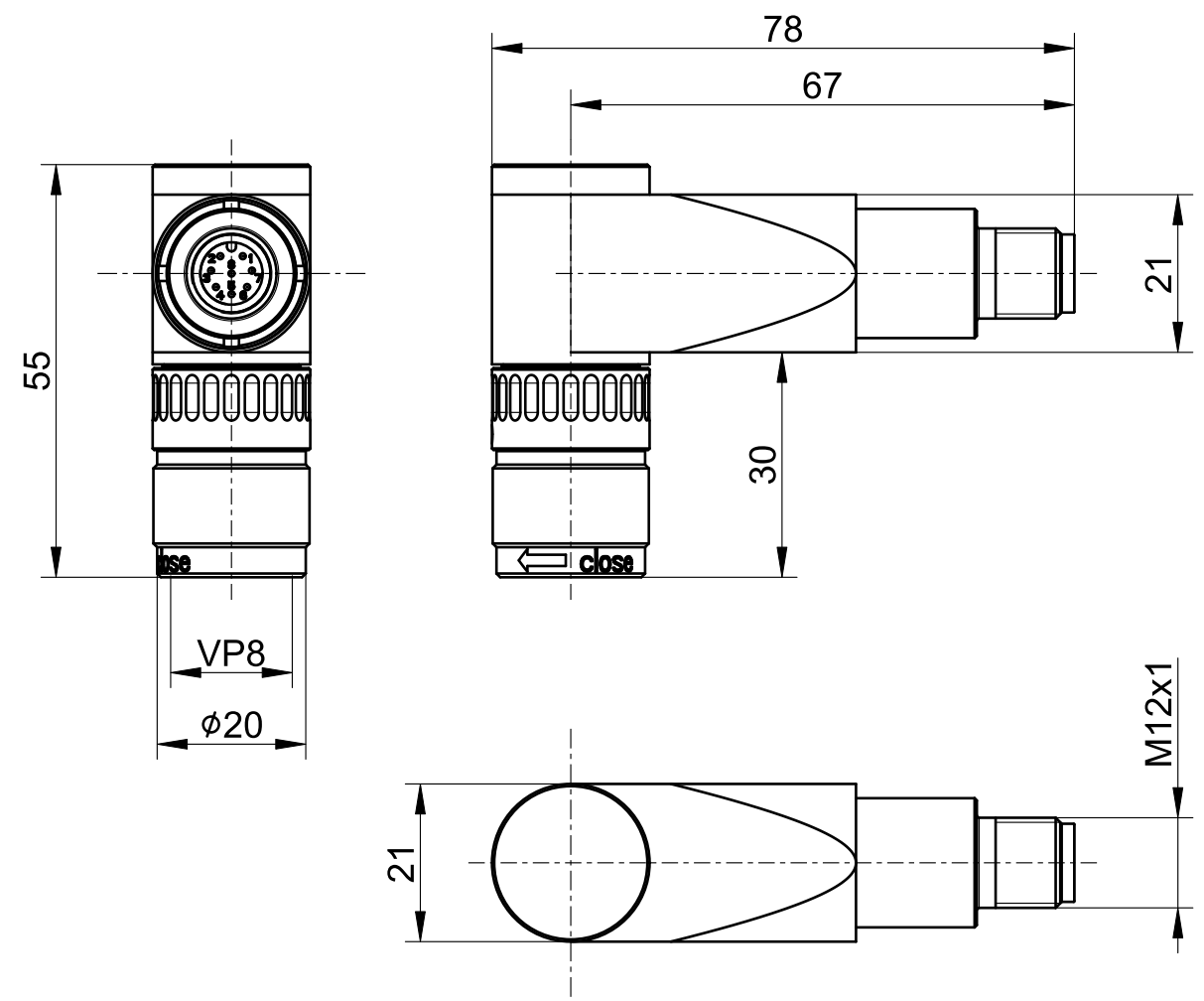
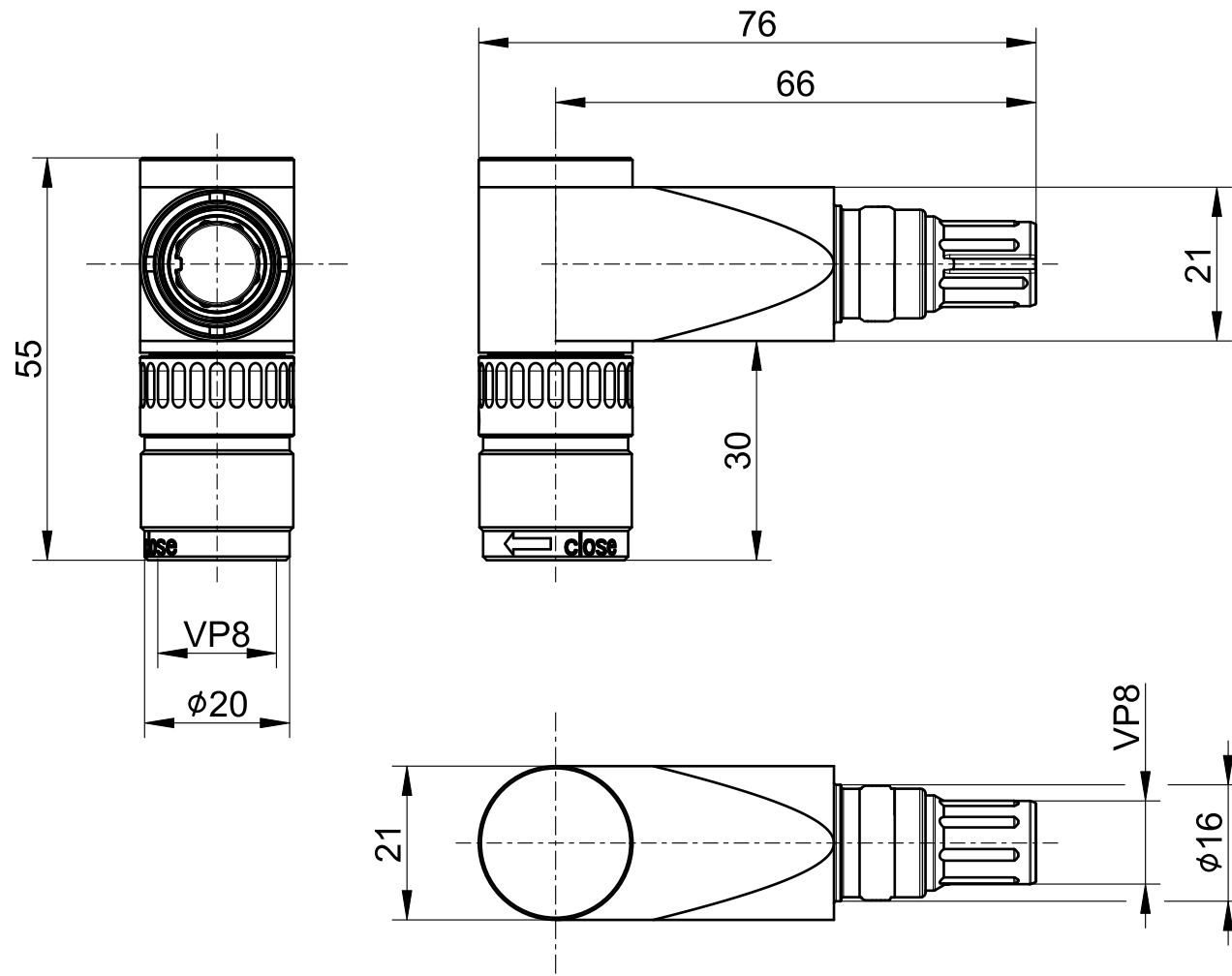
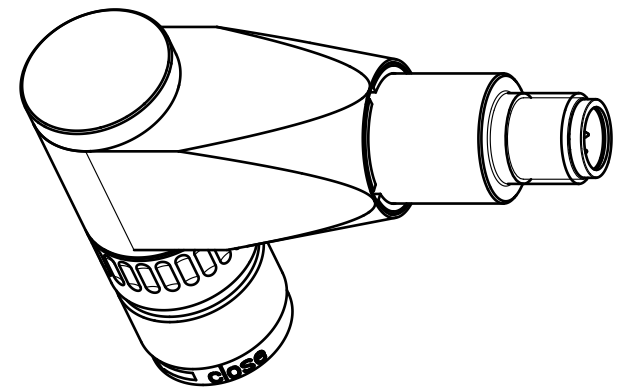
This drawing is the property of HAMILTON COMPANY and is furnished in confidence for a specific purpose. Disclosure or use of its contents for any other purpose is prohibited unless authorized by HAMILTON COMPANY.

Model Nr.: 10191873-1299  
 Object type: ASSEM  
 Model Rev.: 00-9-Freigegeben  
 Drawing Rev.: 00-5-Freigegeben

REF 10191873-11xx



REF 10191873-12xx



Information in this document is valid only for the revision indicated and may be subject to change without notice!

Dimensions without tolerances are for information purpose only!

All dimensions in millimeters (not inches) !

Title: <b>ARC WI PIVOT FAMILY</b>		Material:	Mass:		
Additional Title: VP8 in / M12 or VP8 out		Created / Changed: Abderhalden Daniel 24430	Case-/Change Nr.: 11015296	Unit: [mm]	Format: A3
HAMILTON		Approved:	Release date:	Scale: 1/1	Sheet: 1 / 1
HAMILTON Bonaduz AG Via Crusch 8 CH-7402 Bonaduz		Document number: <b>SZC10191873-1999</b>		Rev.: <b>00</b>	