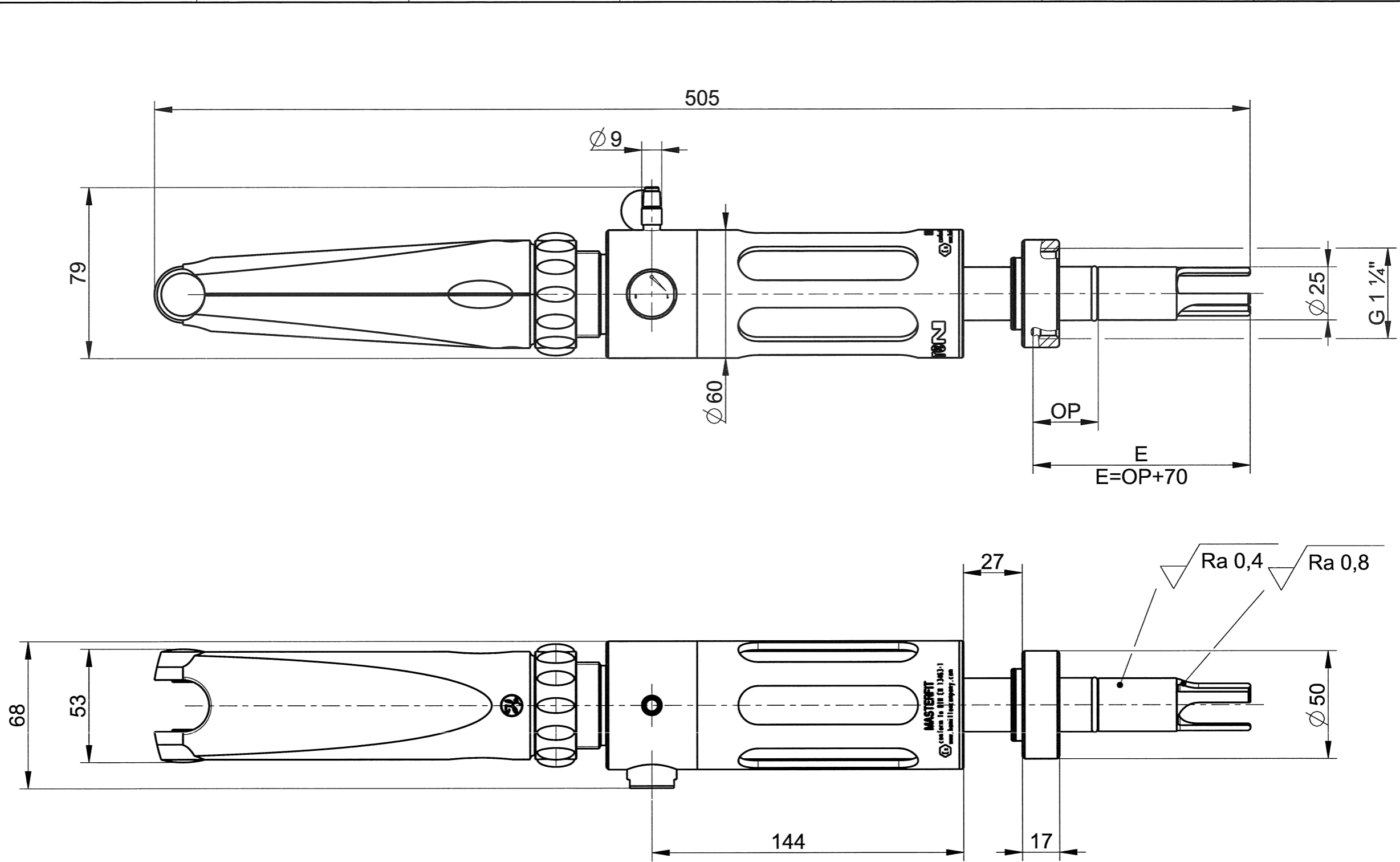


Property of Hamilton Bonaduz AG

Insertion Depth	
OP	E
22	92
23	93
24	94
25	95
26	96
27	97
28	98
29	99
30	100
31	101
32	102
33	103
34	104
35	105
36	106
37	107
38	108
39	109
40	110
41	111
42	112
43	113
44	114
45	115
46	116
47	117
48	118
49	119
50	120
51	121
52	122
53	123
54	124
55	125

Modelnumber	237225	ECO number	
Model rev.	03-2-Freigegeben	ECO date	
Object type	ASSEM	Name	
Drawing rev.	00-3-Freigegeben		



Information in this document is valid only for the revision indicated and may be subject to change without notice!

Dimensions without tolerances are for information purpose only!

MasterFit Bio 150		Mass			Scale
		Material			[mm]
		Drawn	M.Tanasie	2014-04-08	Size
		Checked			A3
Hamilton Bonaduz AG Via Crusch 8 CH-7402 Bonaduz		SZC237225			Sheet
					1/1
					Rev.
					00