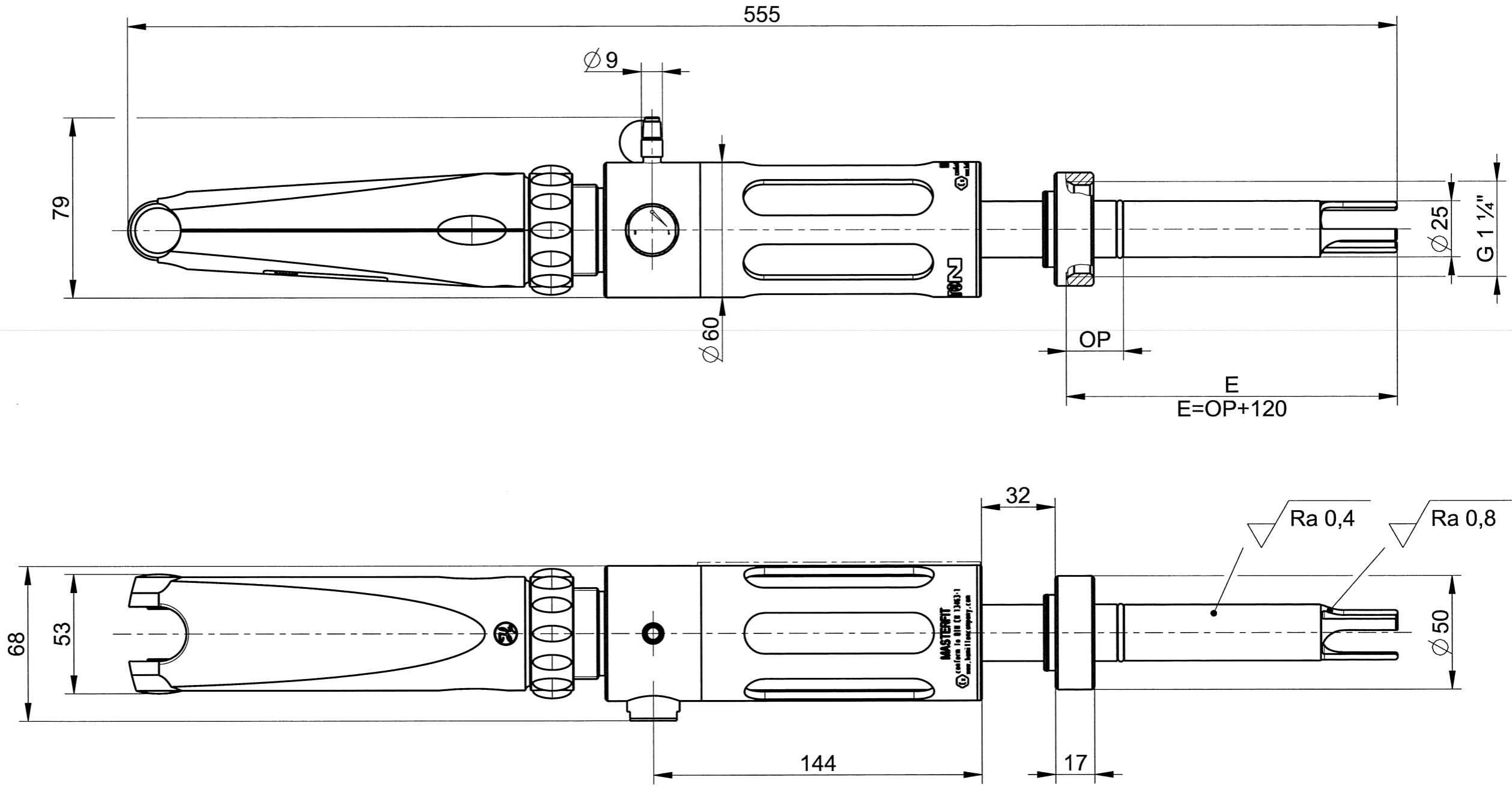


Property of Hamilton Bonaduz AG

Insertion Depth	
OP	E
22	142
23	143
24	144
25	145
26	146
27	147
28	148
29	149
30	150
31	151
32	152
33	153
34	154
35	155
36	156
37	157
38	158
39	159
40	160
41	161
42	162
43	163
44	164
45	165
46	166
47	167
48	168
49	169
50	170
51	171
52	172
53	173
54	174
55	175



Information in this document is valid only for the revision indicated and may be subject to change without notice!

Dimensions without tolerances are for information pupose only!

<b>Masterfit 200</b>	Mass			Scale
	Material			[mm]
	Drawn	M.Tanasie	16.03.2015	A3
	Checked	<i>S. Dörl-Rüdiger</i>	<i>25.3.2015</i>	Sheet
				1/1
<b>HAMILTON</b>	Hamilton Bonaduz AG Via Crusch 8 CH-7402 Bonaduz	<b>SZC237235</b>		Rev. <b>00</b>