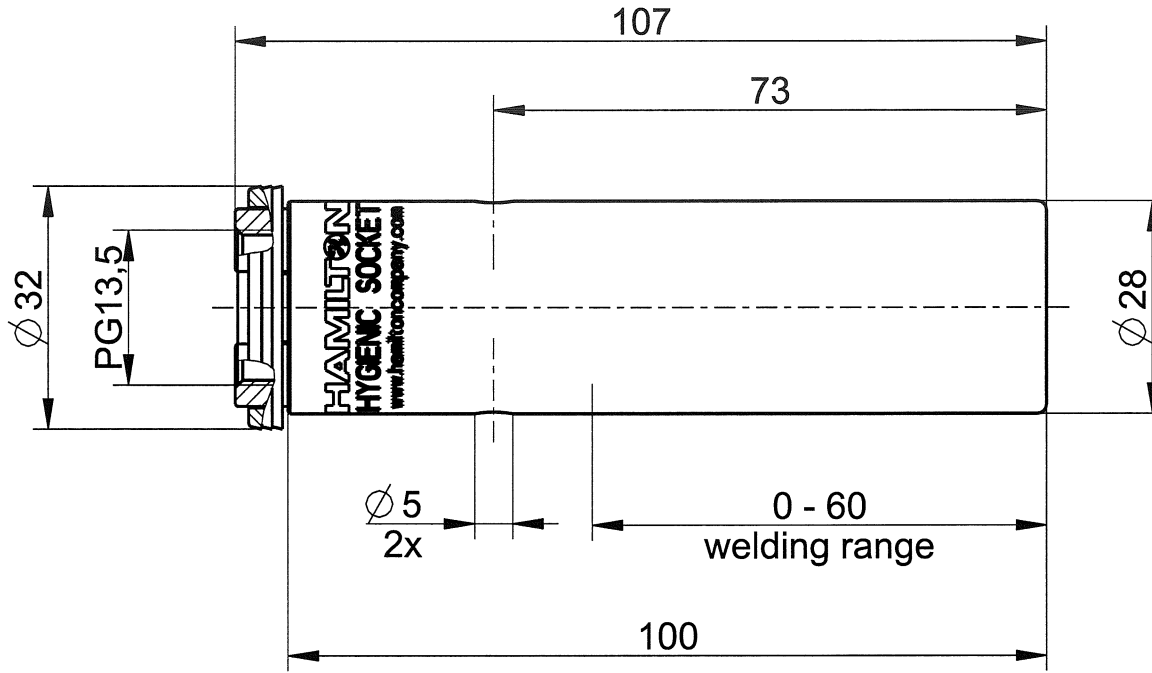




Modell Nr.	242535	Änd. Nr.	13781
Modell Rev.	04-5-Released	Änd. Datum	2014-03-11
Objektyp	ASSEM	Name	M. Tanasie
Zeich. Rev.	02-5-Freigegeben		



Information in this document is valid only for the revision indicated and may be subject to change without notice!

Dimensions without tolerances are for infomation purpose only!

<h2>Hygienic Socket 1.4404</h2>	Mass		 [mm]	Scale	1/1
	Material			Size	A4
	Drawn	Furger	2007-12-10	Sheet	1/1
	Checked	<i>DL 2823</i>	<i>0805 24</i>		
		Hamilton Bonaduz AG Via Crusch 8 CH-7402 Bonaduz		<h1>SZC242535</h1>	
					Rev. <h2>02</h2>